

**BALDOR® • RELIANCE** 

**Product Information Packet**

**EBM3311T**

**7.5HP,1770RPM,3PH,60HZ,213T,3734M,OPEN,F**

Part Detail							
Revision:	Q	Status:	PRD/A	Change #:		Proprietary:	No
Type:	AC	Elec. Spec:	37WGS520	CD Diagram:	CD0005	Mfg Plant:	
Mech. Spec:	37B021	Layout:	37LYB021	Poles:	04	Created Date:	04-26-2010
Base:	RG	Eff. Date:	09-23-2019	Leads:	9#14		

Specs			
Catalog Number:	EBM3311T	Insulation Class:	F
Enclosure:	OPEN	Inverter Code:	Inverter Ready
Frame:	213T	KVA Code:	J
Frame Material:	Steel	Lifting Lugs:	Standard Lifting Lugs
Output @ Frequency:	7.500 HP @ 60 HZ	Locked Bearing Indicator:	No Locked Bearing
Synchronous Speed @ Frequency:	1800 RPM @ 60 HZ	Motor Lead Quantity/Wire Size:	9 @ 14 AWG
Voltage @ Frequency:	460.0 V @ 60 HZ	Motor Lead Exit:	Ko Box
	230.0 V @ 60 HZ	Motor Lead Termination:	Flying Leads
XP Class and Group:	None	Motor Type:	3734M
XP Division:	Not Applicable	Mounting Arrangement:	F1
Agency Approvals:	CSA	Power Factor:	79
	CSA EEV	Product Family:	General Purpose
	UR	Product Type:	BRAKE MOTOR
Auxillary Box:	No Auxillary Box	Pulley End Bearing Type:	Ball
Auxillary Box Lead Termination:	None	Pulley Face Code:	Standard
Base Indicator:	Rigid	Pulley Shaft Indicator:	Standard
Bearing Grease Type:	Polyrex EM (-20F +300F)	Rodent Screen:	None
Blower:	None	RoHS Status:	ROHS COMPLIANT

<b>Current @ Voltage:</b>	19.400 A @ 230.0 V	<b>Shaft Extension Location:</b>	Pulley End
	20.400 A @ 208.0 V	<b>Shaft Ground Indicator:</b>	No Shaft Grounding
	9.700 A @ 460.0 V	<b>Shaft Rotation:</b>	Reversible
<b>Design Code:</b>	A	<b>Shaft Slinger Indicator:</b>	No Slinger
<b>Drip Cover:</b>	No Drip Cover	<b>Speed Code:</b>	Single Speed
<b>Duty Rating:</b>	CONT	<b>Motor Standards:</b>	NEMA
<b>Electrically Isolated Bearing:</b>	Not Electrically Isolated	<b>Starting Method:</b>	Direct on line
<b>Feedback Device:</b>	NO FEEDBACK	<b>Thermal Device - Bearing:</b>	None
<b>Front Face Code:</b>	Brake Mounting	<b>Thermal Device - Winding:</b>	None
<b>Front Shaft Indicator:</b>	None	<b>Vibration Sensor Indicator:</b>	No Vibration Sensor
<b>Heater Indicator:</b>	No Heater	<b>Winding Thermal 1:</b>	None
		<b>Winding Thermal 2:</b>	None

Nameplate NP1259L										
CAT.NO.	EBM3311T									
SPEC.	37B021S520G1									
HP	7.5									
VOLTS	230/460									
AMP	19.4/9.7									
RPM	1770									
FRAME	213T				HZ	60			PH	3
SER.F.	1.15		CODE	J	DES	A		CL	F	
NEMA-NOM-EFF	91		PF	79						
RATING	40C AMB-CONT									
CC	010A				USABLE AT 208V			20.4		
DE	6307				ODE	6306				
ENCL	OPEN		SN							

Parts List		
Part Number	Description	Quantity
SA193973	SA 37B021S520G1	1.000 EA
RA181567	RA 37B021S520G1	1.000 EA
HW3200A01	3/8-16X3/4 I-BLT WELDED F/S	1.000 EA
37CB3006	37 CB CASTING W/1.38 LEAD HOLE @ 6:00	1.000 EA
51XW2520A12	.25-20 X .75, TAPTITE II, HEX WSHR SLTD	2.000 EA
11XW1032G06	10-32 X .38, TAPTITE II, HEX WSHR SLTD U	1.000 EA
37EP1401A01	FR ENDPLATE, MACH	1.000 EA
HW4500A01	1641B(ALEMITE)400 UNIV, GREASE FITT	1.000 EA
HW5100A07	W2816-030 WVY WASHER (WB)	1.000 EA
37EP3204D00	MASTER,DE,307 BRG,GREASER	1.000 EA
HW4500A01	1641B(ALEMITE)400 UNIV, GREASE FITT	1.000 EA
XY3118A12	5/16-18 HEX NUT DIRECTIONAL SERRATION	4.000 EA
HW2501E16	KEY, 1/4 SQ X 1.750	1.000 EA
84XN5013L12	.50-13 X .75 NYLOK TYPE HEX.SOC.HD.CAP S	4.000 EA
37CB4516	LIPPED LID FOR 37 FRAME NEC KOBX	1.000 EA
51XW0832A07	8-32 X .44, TAPTITE II, HEX WSHR SLTD SE	4.000 EA
HW2501F21	KEY, 5/16 SQ X 2.375	1.000 EA
HA7000A02	KEY RETAINER RING, 1 1/8 DIA, 1 3/8 DIA	1.000 EA
85XU0407S04	4X1/4 U DRIVE PIN STAINLESS	2.000 EA
LB1115N	LABEL,LIFTING DEVICE (ON ROLLS)	1.000 EA
MJ1000A02	GREASE, MOBIL POLYREX EM - 124047	0.050 LB
MG1000Y03	MUNSELL 2.53Y 6.70/ 4.60, GLOSS 20,	0.028 GA
ML14-JH18	18 AWG, J,BROWN	45.960 IN
HA3104A14	THRUBOLT- 5/16-18 X12.125(OHIO)	4.000 EA

<b>Parts List (continued)</b>		
<b>Part Number</b>	<b>Description</b>	<b>Quantity</b>
87BK4100EQF	87BK41000QF W/BR2701E01	1.000 EA
LC0005E01	CONN.DIA./WARNING LABEL (LC0005/LB1119N)	1.000 EA
NP1259L	ALUM SUPER-E UL CSA-EEV CC NEMA PREMIUM	1.000 EA
G0PA1000	PKG GRP, PRINT PK1026A06	1.000 EA
MN416A01	TAG-INSTAL-MAINT no wire (1200/bx) 3/19	1.000 EA
PE-0000001	ZRTG PE ASSEMBLY	1.000 EA

**AC Induction Motor Performance Data**

Record # 35207 - Typical performance - not guaranteed values

<b>Winding:</b> 37WGS520-R002	<b>Type:</b> 3734M	<b>Enclosure:</b> OPSB
-------------------------------	--------------------	------------------------

Nameplate Data				460 V, 60 Hz: High Voltage Connection	
Rated Output (HP)	7.5			Full Load Torque	22.4 LB-FT
Volts	230/460			Start Configuration	direct on line
Full Load Amps	19.4/9.7			Breakdown Torque	77.6 LB-FT
R.P.M.	1770			Pull-up Torque	38.7 LB-FT
Hz	60	Phase	3	Locked-rotor Torque	46.3 LB-FT
NEMA Design Code	A	KVA Code	J	Starting Current	72.2 A
Service Factor (S.F.)	1.15			No-load Current	4.94 A
NEMA Nom. Eff.	91	Power Factor	79	Line-line Res. @ 25°C	1.53 Ω
Rating - Duty	40C AMB-CONT			Temp. Rise @ Rated Load	37°C
S.F. Amps				Temp. Rise @ S.F. Load	45°C
				Locked-rotor Power Factor	39.2
				Rotor inertia	0.836 LB-FT <sup>2</sup>

Load Characteristics 460 V, 60 Hz, 7.5 HP

% of Rated Load	25	50	75	100	125	150	S.F.
Power Factor	38	60	72	78	82	83	81
Efficiency	85.1	90.4	91.6	91.3	90.5	89.4	90.7
Speed	1792	1785	1778	1769	1760	1749	1766
Line amperes	5.35	6.5	8.01	9.89	11.9	14.2	11

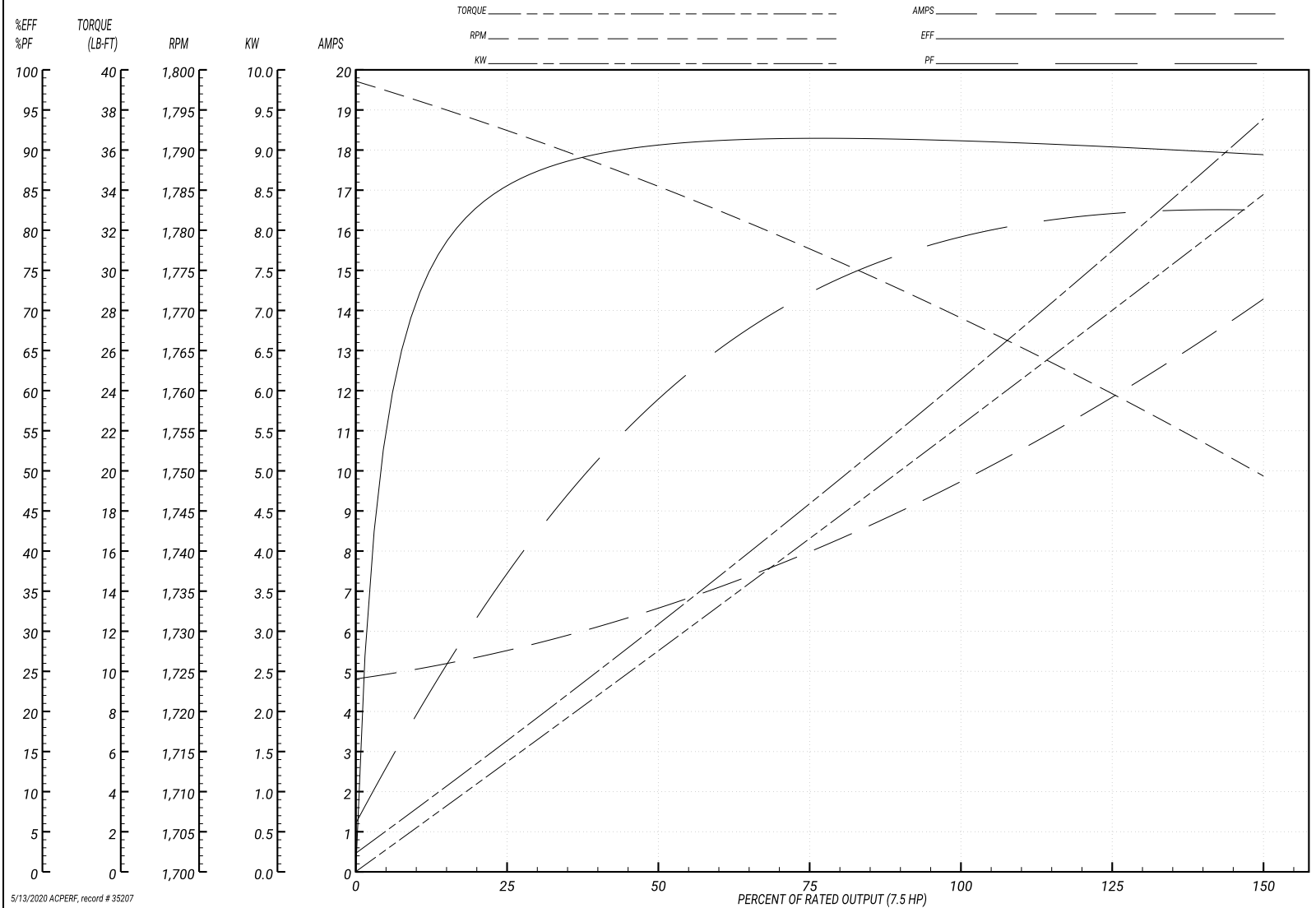
Performance Graph at 460V, 60Hz, 7.5HP Typical performance - Not guaranteed values

ABB Motors and Mechanical Inc.

WINDING # 37WGS520

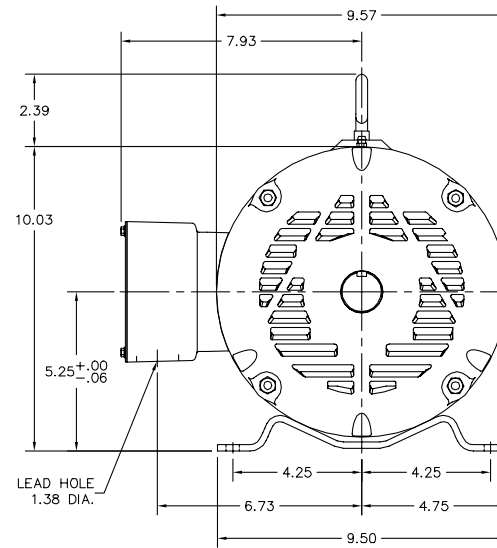
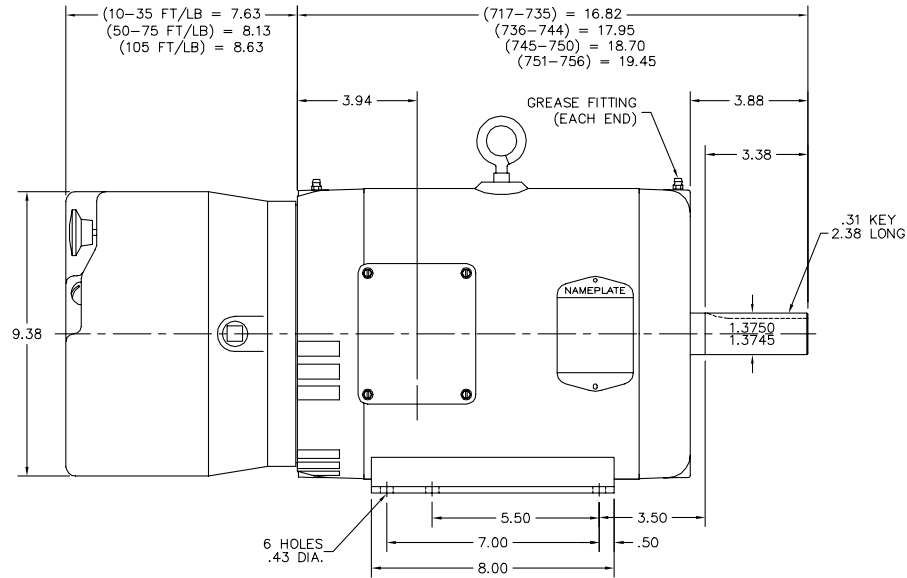
Typical performance - not guaranteed values.

7.5 HP 3 PH 60 HZ 1770 RPM 460 V 3734M  
 TORQUES(LB-FT): PO=77.6 PU=38.7 LR=46.3 LRA=72.2



5/13/2020 ACPERF, record # 35207

37LYB021



CUSTOMER IS RESPONSIBLE FOR DETERMINING THAT MOTOR PERFORMANCE IS SUITABLE IN THE APPLICATION.

REV. DESC: UPDATED STACKS		
REV. LTR: F	VERSION: 01	TDR: 000000403160
FILE: \AAA\00005\317	REVISED: 13:00:49 07/24/2006	BY: ENBRAMO
MTL: -		

**BALDOR ELECTRIC Co.**

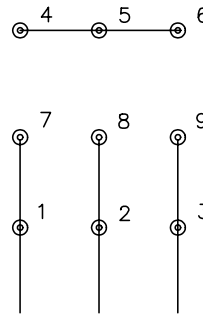
STD HORZ 213-5T OPEN 37M W/ 87BK BRAKE

37LYB021

CD0005

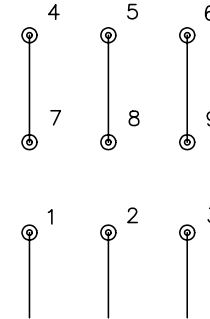


LOW VOLTAGE  
(2Y)



LINE

HIGH VOLTAGE  
(1Y)



LINE

NOTES:

1. INTERCHANGE ANY TWO LINE LEADS TO REVERSE ROTATION.
2. OPTIONAL THERMOSTATS ARE PROVIDED WHEN SPECIFIED.
3. ACTUAL NUMBER OF INTERNAL PARALLEL CIRCUITS MAY BE A MULTIPLE OF THOSE SHOWN ABOVE.
4. LEAD COLORS ARE OPTIONAL. LEADS MUST ALWAYS BE NUMBERED AS SHOWN.

REV. DESC: REVISE TO SHOW OPTIONAL COLORS			
REV. LTR: E	BY: JLP	REVISED: 01/19/99 10:15	TDR: 0171435
900000		FILE: AAA00005140	MDL: -
		MTL: -	

**BALDOR ELECTRIC Co.**

3PH, DV, 9 LEADS

CD0005